


Universal Group®

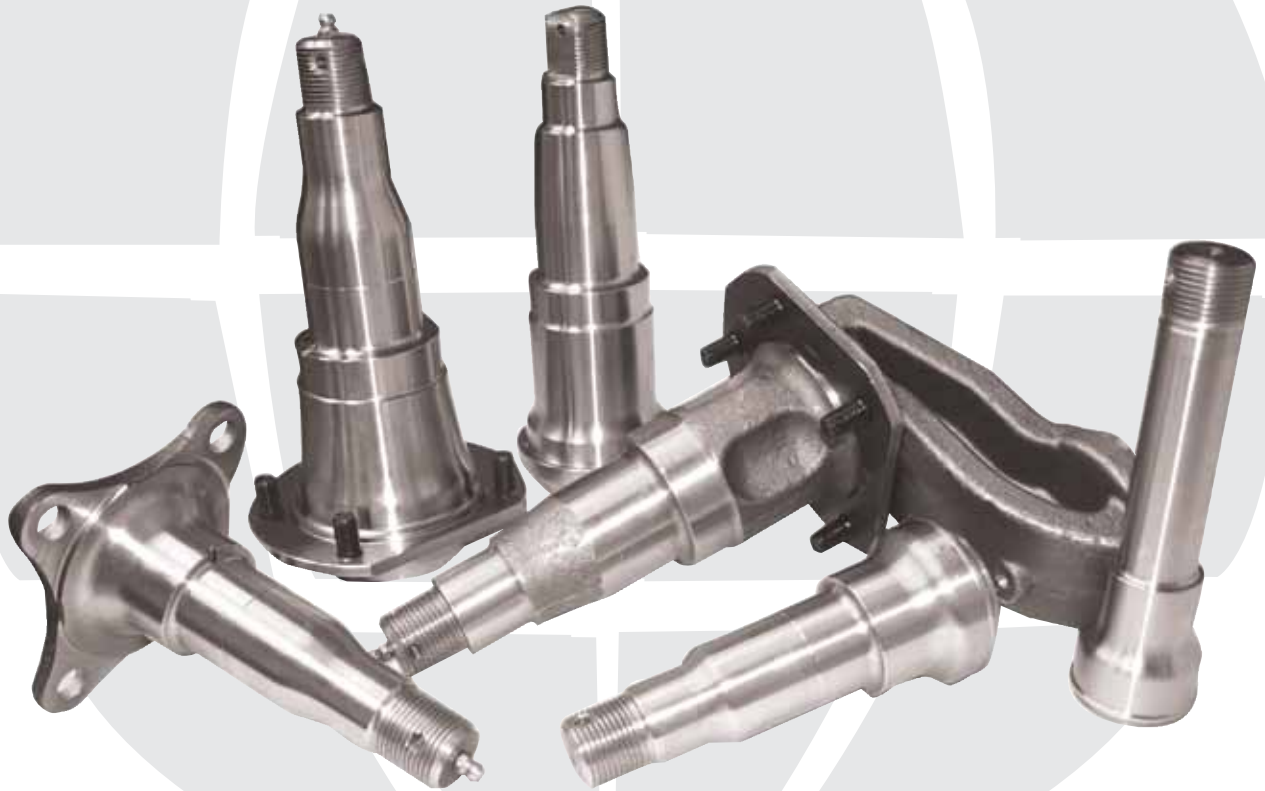




The Universal Group, LLC 1025 Thomas Busch Memorial Highway  Pennsauken, New Jersey 08110


1120 Eden Road, Suite 100  Arlington, Texas 76001

Spindles

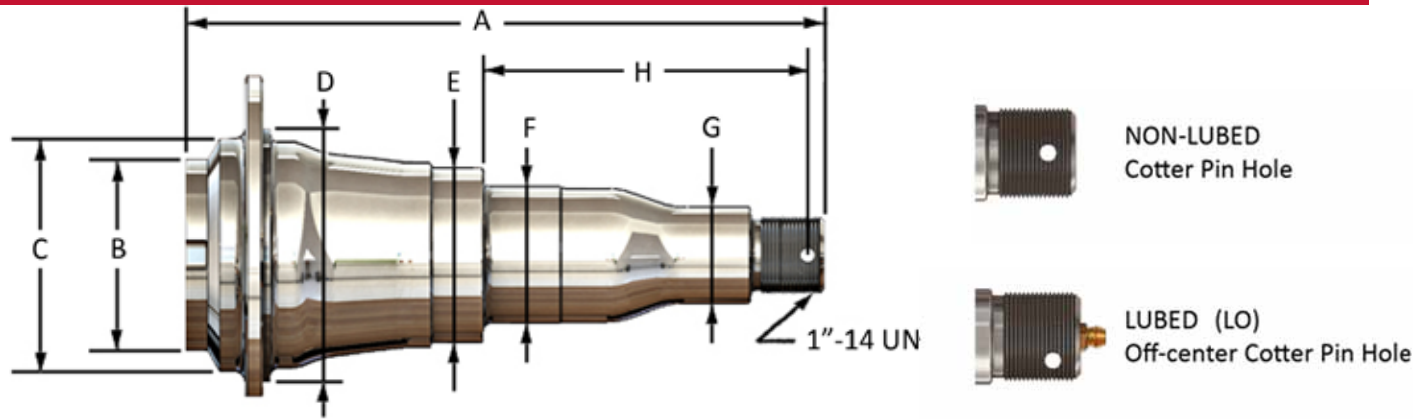
Measurement Guide







NJ Phone: (800) 225-1845  (856) 488-1800  NJ Fax: (800) 360-9636

 TX Phone: (800) 637-4422

INTEGRAL FLANGE SPINDLES



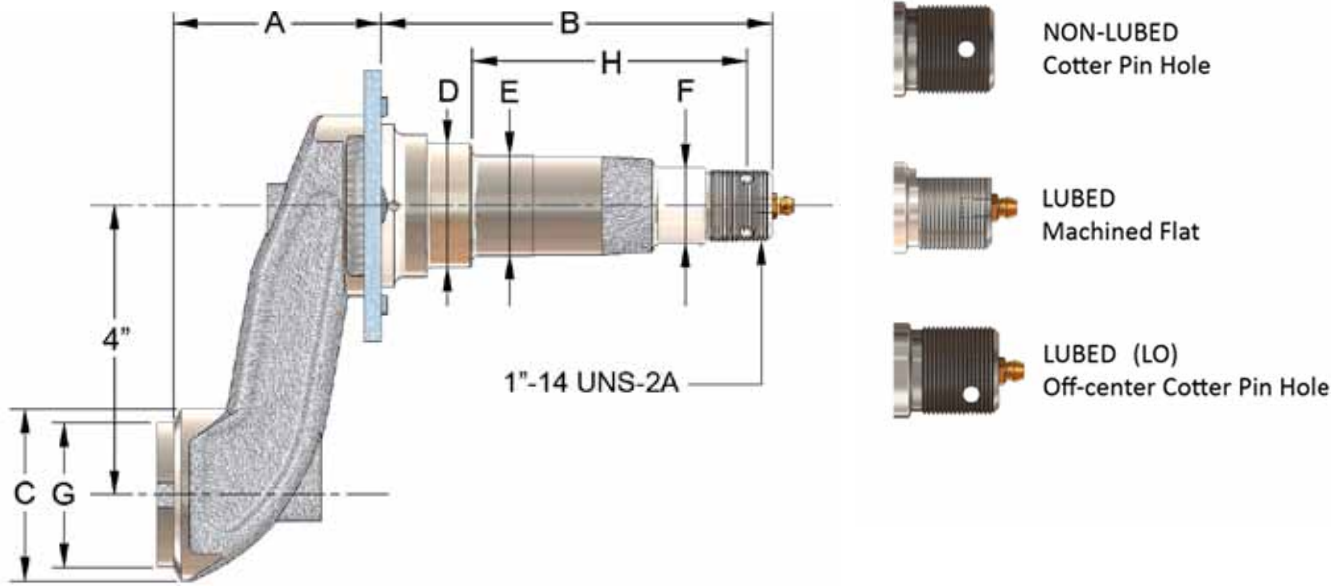
PART NUMBER	TYPE	CAPACITY* (lbs)	DIMENSIONS (INCHES)							BEARING INNER/OUTER
			A	B	C	D	E	F/G	H	
 389 F	#84 NON-LUBED	1750	6.25	1.94	2.45	3.00	1.720	1.376 1.062	3.80	L68149 L44649
 389 FLO	#84 LUBED Off-center Cotter Pin hole	1750	6.25	1.94	2.45	3.00	1.720	1.376 1.062	3.80	L68149 L44649
 466 F-02	#42 NON-LUBED	3500	8.20	2.45	3.00	3.25	2.250	1.750 1.250	4.16	25580 LM67048
 466 F-02LO	#42 LUBED Off-center Cotter Pin hole	3500	8.20	2.45	3.00	3.25	2.250	1.750 1.250	4.16	25580 LM67048



The information contained on this page is intended to aid in identification of available spindles. It is not intended for design purposes.

*The capacities, as shown above represent the capacity of a single spindle and should be doubled to obtain the axle capacity.







DROP SPINDLES - BUTTWELD



PART NUMBER	TYPE	CAPACITY* (lbs)	DIMENSIONS (INCHES)							BEARING INNER/OUTER
			A	B	C	D	E/F	G	H	
 UNA-504-02	2-132 W/FLANGE, NON-LUBED , D-FLAT	1750	2.52	5.38	2.38	1.720	1.376 1.062	1.98	3.80	L68149 L44649
 UNA-504-03LO	2-132 W/FLANGE LUBED Off-Center Coter Pin hole	1750	2.52	5.38	2.38	1.720	1.376 1.062	1.98	3.80	L68149 L44649

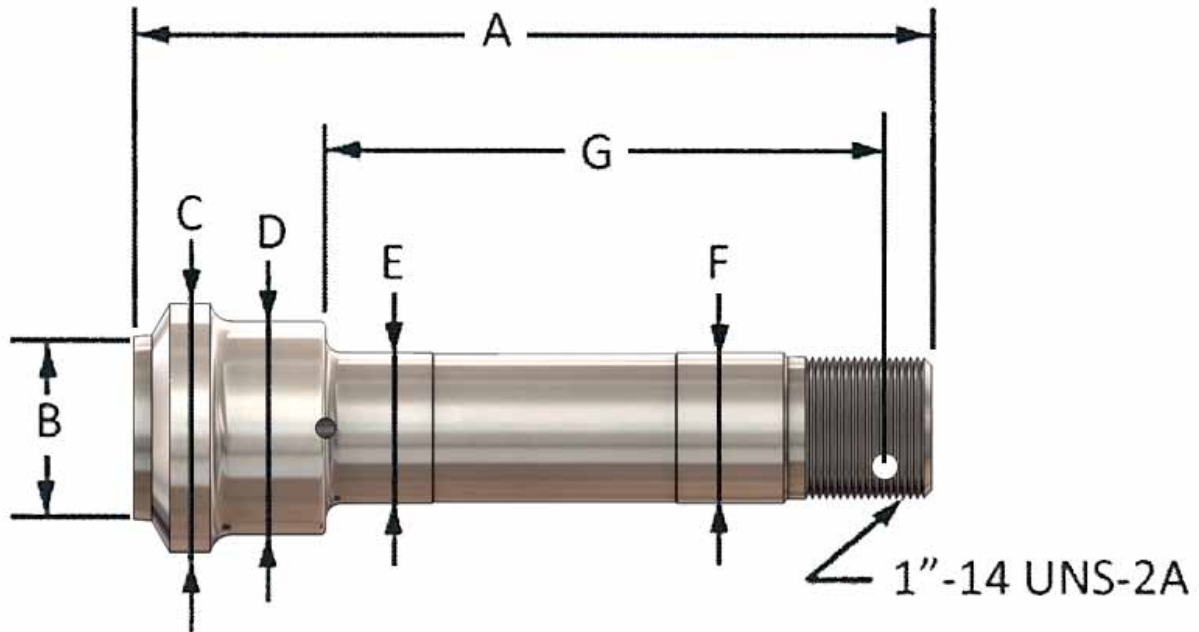
The information contained on this page is intended to aid in identification of available spindles. It is not intended for design purposes.
 *The capacities, as shown above represent the capacity of a single spindle and should be doubled to obtain the axle capacity.


DROP SPINDLES - BUTTWELD

PART NUMBER	TYPE	CAPACITY* (lbs)	DIMENSIONS (INCHES)							BEARING INNER/OUTER
			A	B	C	D	E/F	G	H	
 TT175AFZ-02	#84 , "H" AXLE W/FLANGE, NON-LUBED	1750	2.52	5.38	3.00	1.720	1.376 1.062	2.57	3.80	L68149 L44649
 TT175AFZ-02L	#84 , "H" AXLE W/FLANGE, LUBED Off-center Cotter Pin Hole	1750	2.52	5.38	3.00	1.720	1.376 1.062	2.57	3.80	L68149 L44649
 UT-300-M	6K W/FLANGE, NON-LUBED	3000	2.63	7.20	3.00	2.249	1.750 1.250	2.45	4.16	25580 LM67048
 UT-300-ALMO	6K W/FLANGE, LUBED Off-center Coter Pin hole	3000	2.63	7.20	3.00	2.249	1.750 1.250	2.45	4.16	25580 LM67048

The information contained on this page is intended to aid in indentification of available spindles.It is not intended for design purposes.
*The capacities, as shown above represent the capacity of a single spindle and should be doubled to obtain the axle capacity.

BT SPINDLES



PART NUMBER	TYPE	CAPACITY* (lbs)	DIMENSIONS (INCHES)						BEARING INNER/OUTER
			A	B	C	D	E	F/G	
 HFBT16S-LO	#84	1250	5.60	1.31	1.75	1.500	1.062	1.062	L68149
	SHORT, LUBED Off-center Cotter Pin Hole							3.93	L44649

Universal Group®



www.theuniversalgroup.com